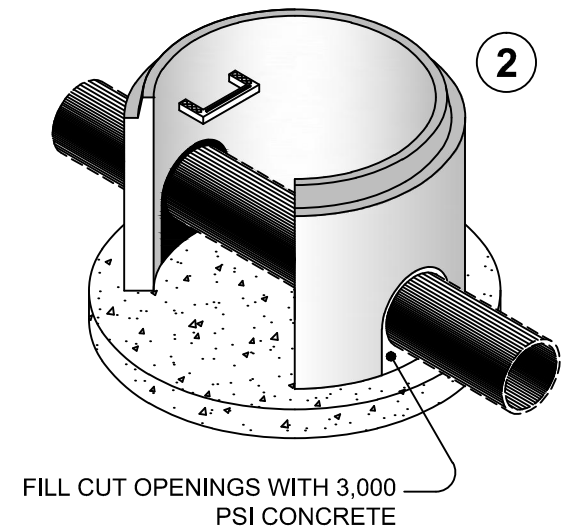
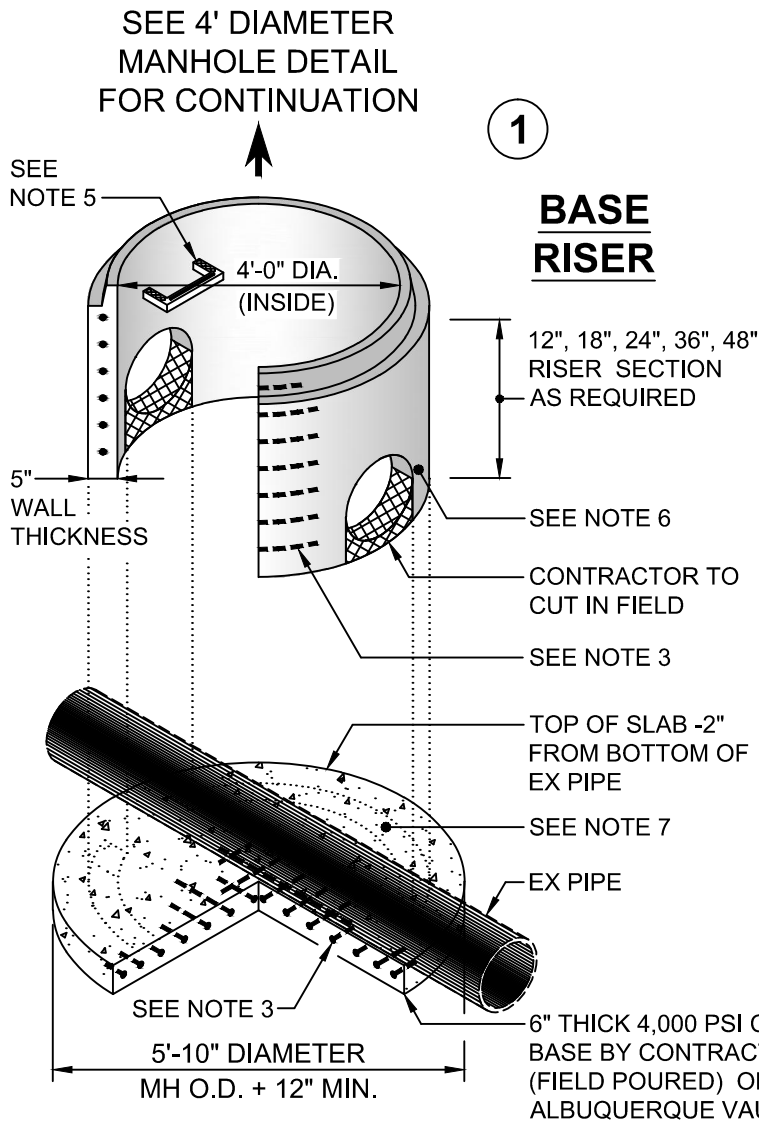




4' DIAMETER DOGHOUSE MANHOLE

GENERAL NOTES:

1. Manhole design specifications conform to latest ASTM C478 specifications for "Precast Reinforced Concrete Manhole Sections" and NMDOT or C.O.A.
2. Concrete compressive strength 4,000 psi minimum.
3. Steel reinforcing designed to conform to the requirements of ASTM C478 or per C.O.E. conforming to the requirements of ASTM A615 or WWF conforming to the requirements of ASTM A185 or drawn wire conforming to the requirements of ASTM A82 or a combination thereof.
4. Additional reinforcing at all openings.
5. Steps shall be steel reinforced copolymer polypropylene and meet the requirements of ASTM C478. See typical step detail.
6. Pipe penetration to be per job requirements. Pipe to be installed by contractor.
7. Joints to be sealed with preformed butyl rubber joint sealant meeting requirements of ASTM C990. See typical manhole section joint detail.



INVERT TO BE FORMED IN FIELD BY CONTRACTOR SIMILAR TO C.O.A. STD DETAIL 2102

