



# ALBUQUERQUE VAULT COMPANY

PRE-CAST  
CONCRETE  
PRODUCTS

300 Airport Dr., NW \* Albuquerque, NM 87121 \* Phone: 505-836-4404 / Fax: 505-836-5663

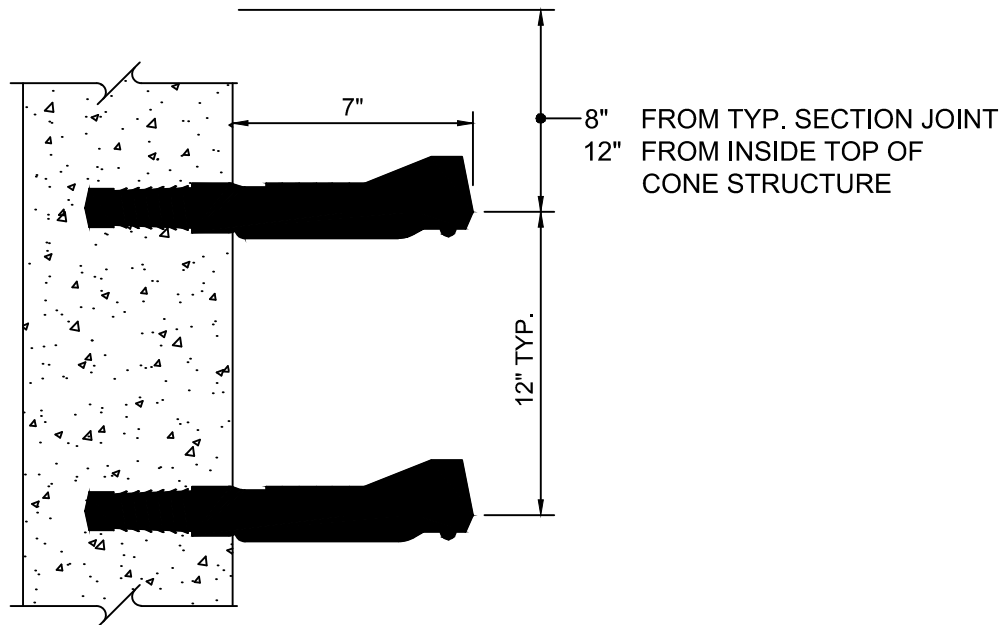
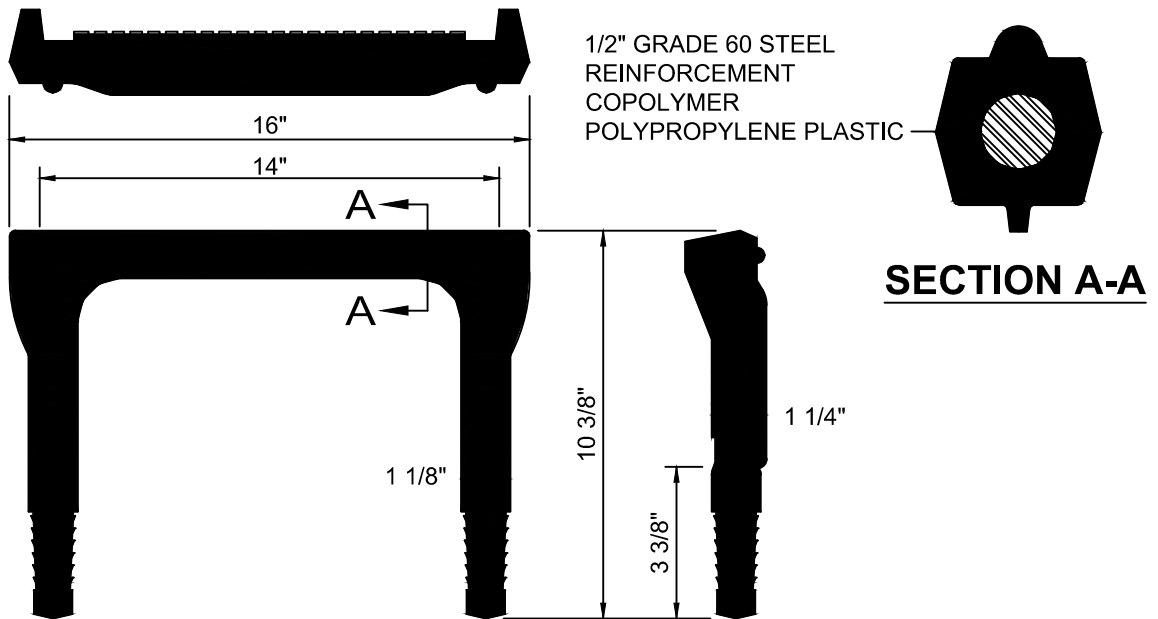
Detail #

STEPS

Not To Scale

Feb. 2009

## STD. POLYPROPYLENE PLASTIC STEPS



### GENERAL NOTES:

1. Step design, installation, and material shall meet the requirements of ASTM C478 and DOT.
2. Plastic material consists of super high impact resistant copolymer polypropylene and conform to specific requirements as detailed in ASTM D4101.
3. Reinforcing steel shall be 1/2" rebar, grade 60 and meet the requirements of ASTM A615.
4. Step width and spacing to be consistent with the latest requirements of OSHA.
5. Steps provided by M.A. Industries, Inc. or equal.