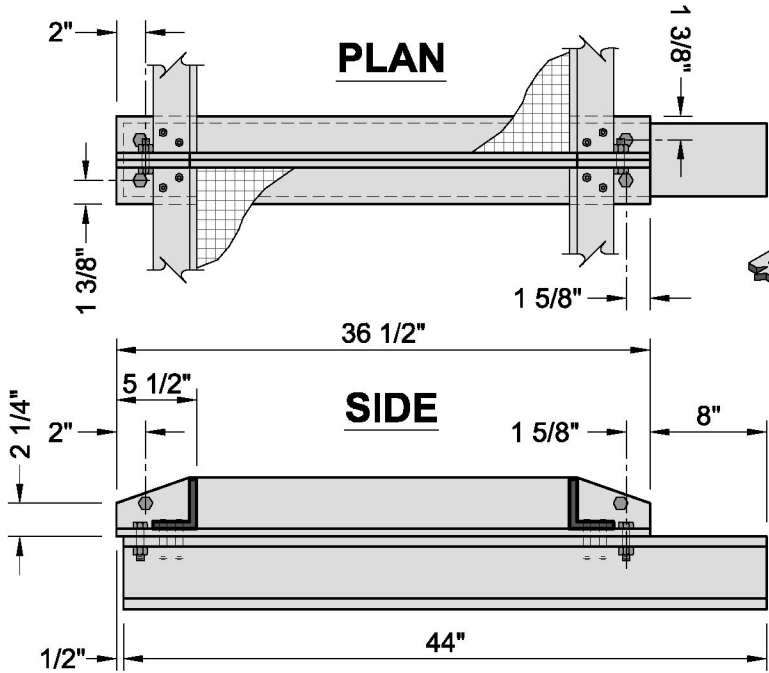
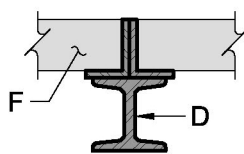
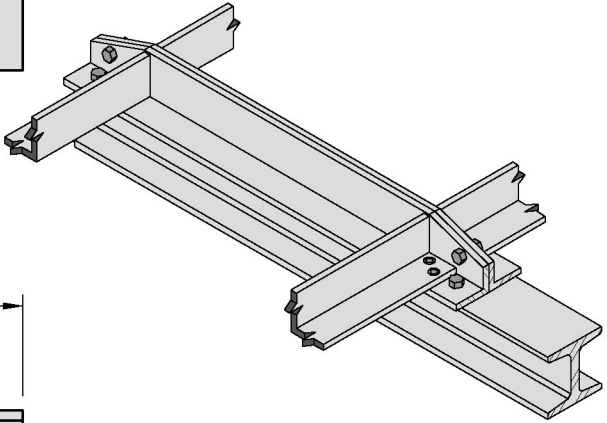




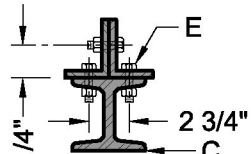
STORM INLET CENTER SUPPORT ASSEMBLY



ASSEMBLY FOR DOUBLE "C" CATCH BASIN



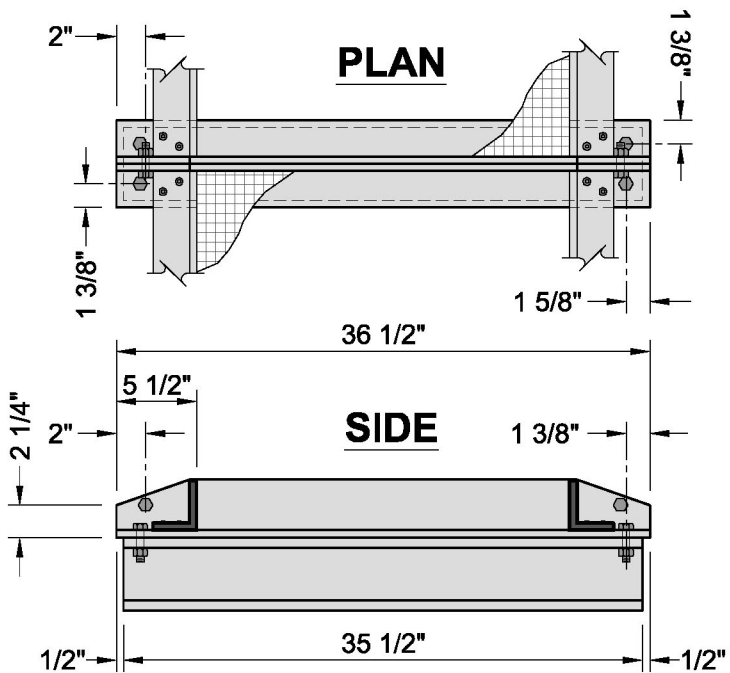
**SECTION
C-C**



**SECTION
D-D**

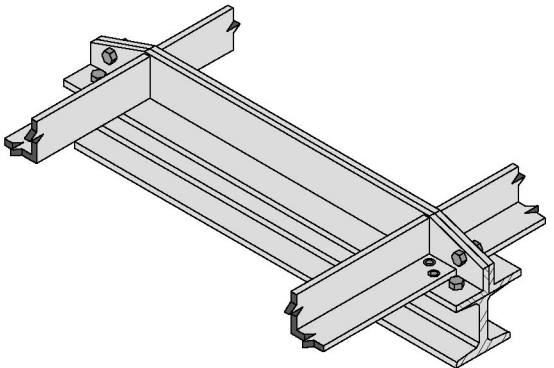
GENERAL NOTES:

1. All bolts used in center support assembly shall be 1/2".
2. Frame may be riveted or welded.
3. Bolts (Not rivets or welds) shall be used to join two or more frames together and to the WF beam.
4. After cleaning surface of scale, rust, oils, etc., paint grate with one shop coat red oxide, two finish coats aluminum paint (AASHTO M 69)
5. For single type catch basin, move one end wall to form new single grate catch basin.



LEGEND:

- A. 4" x 3" x 1/2" x 36 1/2" angle.
- B. 3 1/2" x 3" x 3/8" x 40 3/8" angle.
- C. 5 x 5 WF 18.5 flange beam, for double catch basin Type "C".
- D. 5 x 5 WF 18.5 flange beam, for double catch basin Type "D".
- E. 1/2" Bolts with nuts to secure angle to beam.
- F. For frame and grate see City of Albuquerque standard details 2216, 2220, & 2221.



ASSEMBLY FOR DOUBLE "D" CATCH BASIN