



# ALBUQUERQUE VAULT COMPANY

PRE-CAST  
CONCRETE  
PRODUCTS

300 Airport Dr., NW \* Albuquerque, NM 87121 \* Phone: 505-836-4404 / Fax: 505-836-5663

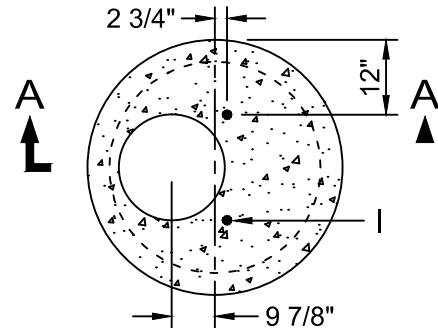
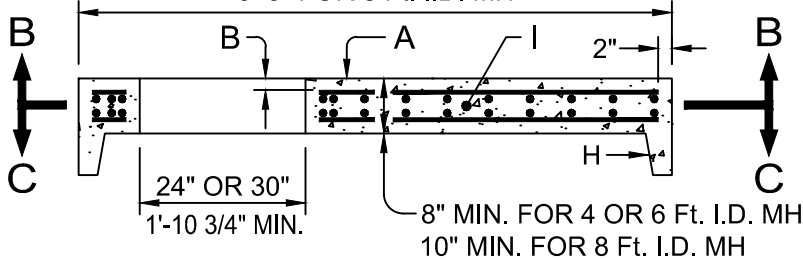
Detail # TYPE-C-CVR

Not To Scale

Feb. 2009

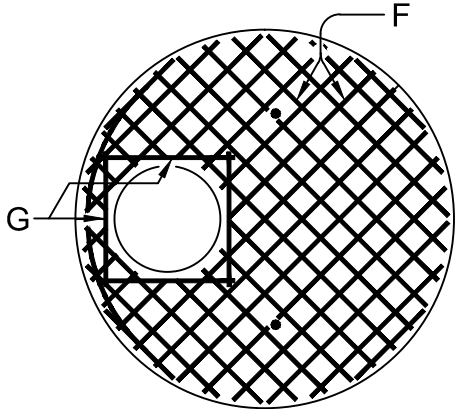
## TYPE "C" COVER (CITY DWG. 2107)

4'-10" FOR 4 Ft. I.D. MH  
7'-2" FOR 6 Ft. I.D. MH  
9'-6" FOR 8 Ft. I.D. MH

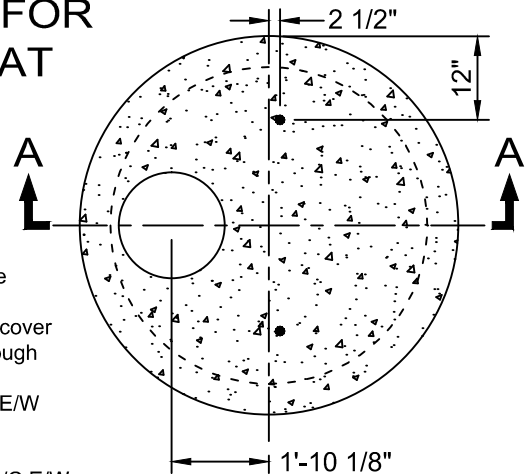


4' I.D. MANHOLE

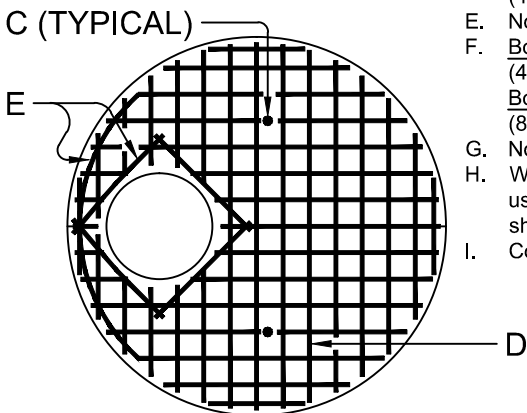
### REBAR MATS FOR 4', 6', & 8' FLAT TOPS



TOP MAP  
SECTION B-B



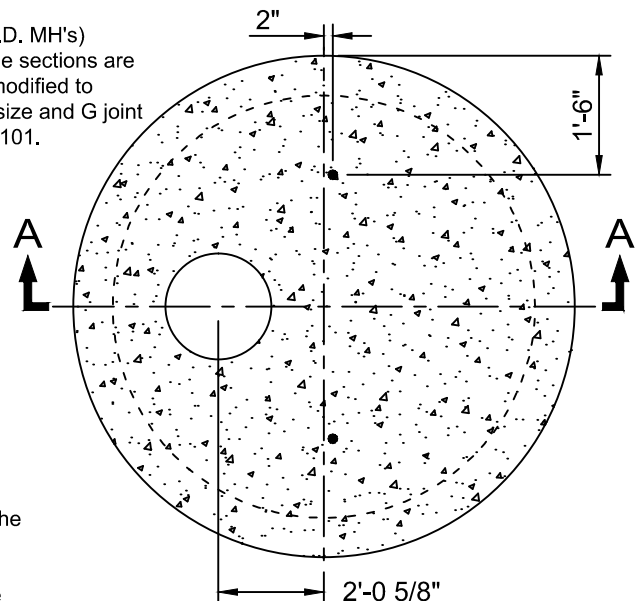
6' I.D. MANHOLE



BOTTOM MAP  
SECTION C-C

#### LEGEND:

- A. Precast Reinforced concrete manhole cover.
- B. All bars to have 1 1/2" min. cover
- C. 1" pipe sleeve vertically through cover.
- D. Top Map No. 4 bars 6' O/C E/W (4, 6, & 8 Ft. I.D. MH's)
- E. No. 4 rebars
- F. Bottom Map No. 4 bars 6' O/C E/W (4 & 6 Ft. I.D. MH's)  
Bottom Map No. 6 bars 6' O/C E/W (8 Ft. I.D. MH's)
- G. No. 4 bars (4 & 6 Ft. I.D. MH's)
- H. When precast manhole sections are used, cover shall be modified to shape of appropriate size and G joint
- I. Concrete see section 101.



8' I.D. MANHOLE

#### GENERAL NOTES:

1. All manholes 20' deep or deeper will require An intermediate landing in the manhole barrel. Type "C" manhole covers shall be used as intermediate landings.
2. Intermediate landings shall be located at the mid point + or - 2 feet of the height of the manhole. At no time shall an intermediate landing or size adjustment top be installed closer than 8' up from the invert of the manhole.